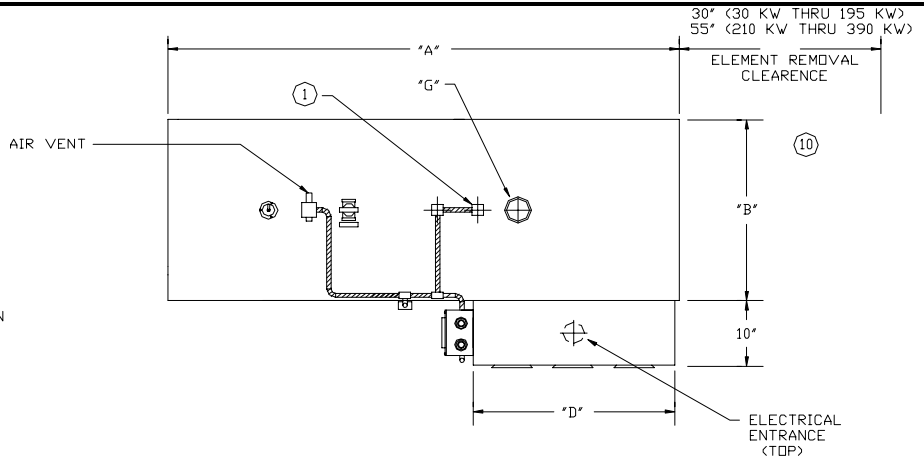


# BE Series Electric Boiler

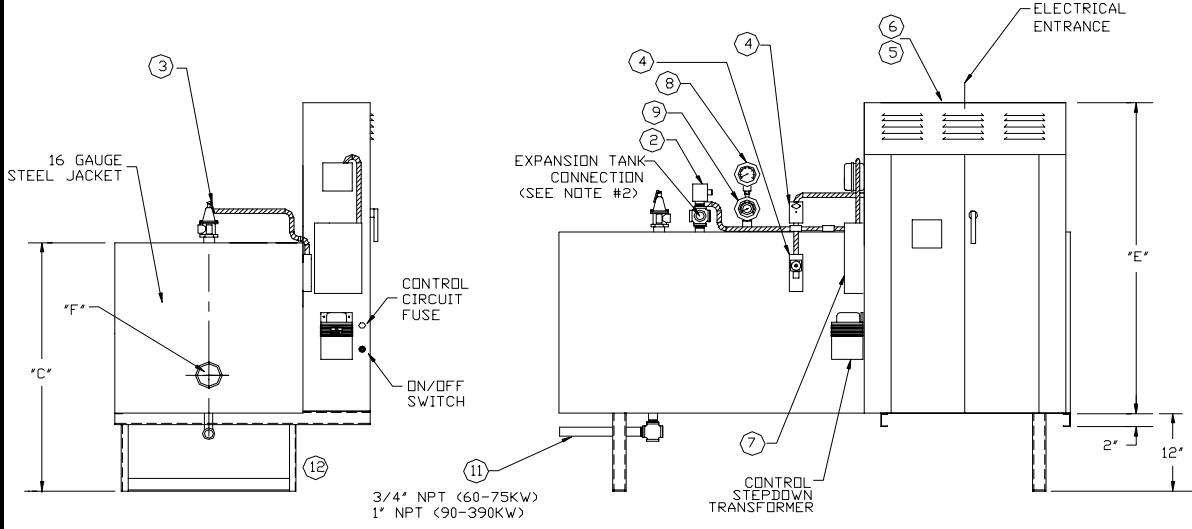
## 150 psi Water Design 30 kw to 390 kw

EFFECTIVE DATE: 3-1-04  
REPLACED DATE : 4-13-83

- NOTES:  
 1. DIMENSIONS ARE SUBJECT TO CHANGE WITHOUT NOTICE. CONSULT FACTORY FOR CERTIFIED DIMENSIONS.  
 2. TIE IN OF EXPANSION TANK CONNECTION IS ESSENTIAL TO INSURE PROPER OPERATION OF THE LOW WATER CUT-OFF FLOAT  
 3. NOT INTENDED FOR USE AS A PRINCIPAL HEATING SOURCE FOR LIVING SPACE OF AN INDIVIDUAL RESIDENCE



TOP VIEW



LEFT END VIEW

FRONT VIEW

- |  |   |  |
|--|---|--|
| 1. OPERATOR<br>2. PROBE TYPE LWCO<br>3. RELIEF VALVE<br>4. AQUASTAT (HIGH LIMIT) | 5. POWER PANEL<br>6. CONTROL PANEL<br>7. STEP CONTROLLER<br>8. PRESSURE GAUGE | 9. TEMPERATURE GAUGE<br>10. ELEMENT ACCESS<br>11. DRAIN<br>12. STRUCTURAL STEEL LEGS |
|--|---|--|

KW	WATER							Inlet	Outlet	KW	WATER							Inlet	Outlet
	Vessel Dimensions			Power Panel Voltage							Vessel Dimensions			Power Panel Voltage					
	length	width	height	208-230/3/60		380,460-575					length	width	height	208-230/3/60		380,460-575			
	A	B	C	D	E	D	E	F	G		A	B	C	D	E	D	E	F	G
30	48	20	32	30	36	20	24	2	2	180	48	28	40	30	66	30	36	3	3
45	48	20	32	30	36	20	24	2	2	195	48	28	40	30	66	30	48	3	3
60	48	20	32	30	36	20	24	2	2	210	76	28	40	N/A	N/A	30	48	3	3
75	48	20	32	30	36	20	24	2	2	240	76	28	40	N/A	N/A	30	48	3	3
90	48	28	40	30	36	20	30	3	3	270	76	28	40	N/A	N/A	30	66	3	3
105	48	28	40	30	48	30	36	3	3	300	76	28	40	N/A	N/A	30	66	3	3
120	48	28	40	30	48	30	36	3	3	330	76	28	40	N/A	N/A	30	66	3	3
135	48	28	40	30	66	30	36	3	3	360	76	28	40	N/A	N/A	30	66	3	3
150	48	28	40	30	66	30	36	3	3	390	76	28	40	N/A	N/A	30	66	3	3
165	48	28	40	30	66	30	36	3	3										