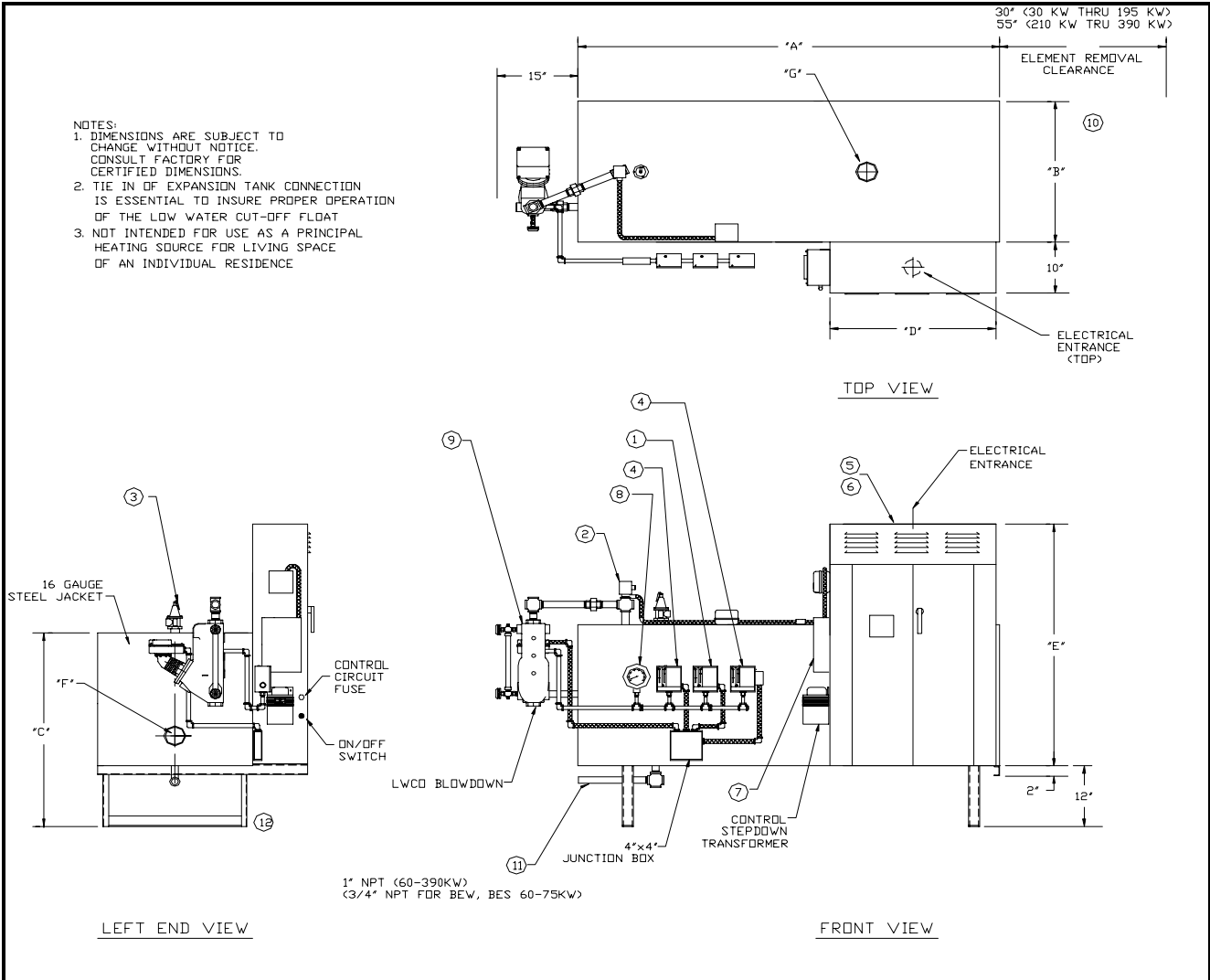


BE Series Electric Boiler

15# Steam Design

30 kw to 390 kw

EFFECTIVE DATE: 3-1-04
REPLACED DATE: 3-16-82



- | | | |
|--------------------|--------------------|---------------------------|
| 1. OPERATOR | 5. POWER PANEL | 9. LWCO/PUMP CONTROLLER |
| 2. PROBE TYPE LWCO | 6. CONTROL PANEL | 10. ELEMENT ACCESS |
| 3. RELIEF VALVE | 7. STEP CONTROLLER | 11. DRAIN |
| 4. PRESSURE GAUGE | 8. PRESSURE GAUGE | 12. STRUCTURAL STEEL LEGS |

KW	BES Series										Fluid Cap. Oper. Level Gallons		Approx. Ship WT.
	Vessel Dimensions			Power Panel Voltage				Inlet	Outlet	Water	Steam		
	length	width	height	208-230/3/60		380-460-575/3/60							
	A	B	C	D	E	D	E	F	G				
30	48	20	32	20	24	20	24	2	2	24	13	775	
45	48	20	32	20	30	20	24	2	2	24	13	775	
60	48	20	32	30	36	20	24	2	2	24	13	775	
75	48	20	32	30	36	20	30	2	2	24	13	850	
90	48	28	40	30	36	20	30	3	3	52	32	1000	
105	48	28	40	30	48	30	36	3	3	52	32	1025	
120	48	28	40	30	48	30	36	3	3	52	32	1050	
135	48	28	40	30	66	30	36	3	3	52	32	1300	
150	48	28	40	30	66	30	36	3	3	52	32	1325	
165	48	28	40	30	66	30	36	3	3	52	32	1350	
180	48	28	40	30	66	30	36	3	3	52	32	1400	
195	48	28	40	30	66	30	48	3	3	52	32	1450	
210	76	28	40	N/A	N/A	30	48	3	3	105	69	1950	
240	76	28	40	N/A	N/A	30	48	3	3	105	69	2000	
270	76	28	40	N/A	N/A	30	66	3	3	105	69	2450	
300	76	28	40	N/A	N/A	30	66	3	3	105	69	2500	
330	76	28	40	N/A	N/A	30	66	3	3	105	69	2550	
360	76	28	40	N/A	N/A	30	66	3	3	105	69	2600	
390	76	28	40	N/A	N/A	30	66	3	3	105	69	2650	



BRYAN BOILERS LLC

783 NORTH CHILI AVE
PERU, INDIANA 46970

FORM NO.:

2246