

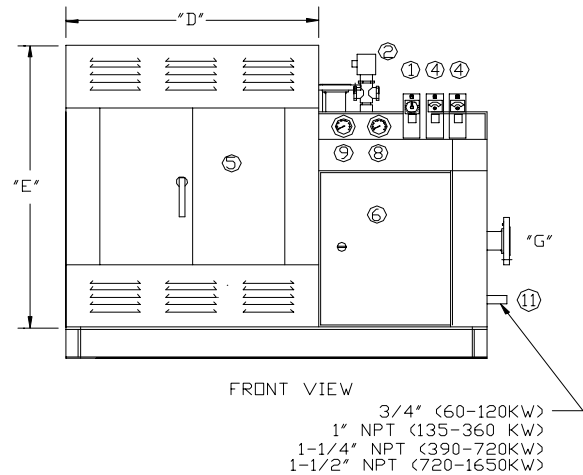
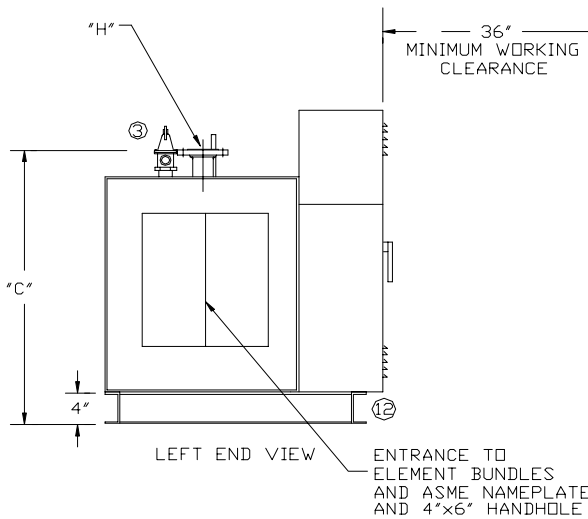
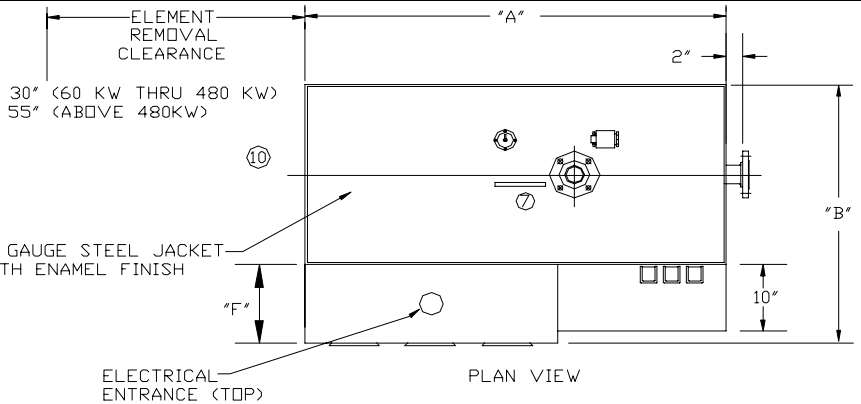
BH Series Electric Boiler

150 psi Water Design 60 kw to 480 kw

EFFECTIVE DATE: 3-1-04
REPLACED DATE: 2-17-82

NOTES:

1. DIMENSIONS ARE SUBJECT TO CHANGE WITHOUT NOTICE. CONSULT FACTORY FOR CERTIFIED DIMENSIONS.
2. TIE IN OF EXPANSION TANK CONNECTION IS ESSENTIAL TO INSURE PROPER OPERATION OF THE LOW WATER CUT-OFF FLOAT
3. NOT INTENDED FOR USE AS A PRINCIPAL HEATING SOURCE FOR LIVING SPACE OF AN INDIVIDUAL RESIDENCE



KW	Dimensions			DxExF	DxExF	Inlet	Outlet	KW	Dimensions			DxExF	DxExF	Inlet	Outlet
	A	B	C						A	B	C				
				208-230/3/60	460-575/3/60							208-230/3/60	460-575/3/60		
60	50"	33"	35"	30"x36"x10"	30"x36"x10"	2" 150#	2" 150#	210	56"	47"	49"	30"x66"x10"	30"x48"x10"	3" 150#	3" 150#
75	50"	33"	35"	30"x36"x10"	30"x36"x10"	2" 150#	2" 150#	225	56"	47"	49"	30"x66"x10"	30"x48"x10"	3" 150#	3" 150#
90	50"	33"	35"	30"x36"x10"	30"x36"x10"	2" 150#	2" 150#	240	56"	47"	49"	30"x66"x10"	30"x48"x10"	3" 150#	3" 150#
105	50"	33"	35"	30"x48"x10"	30"x36"x10"	2" 150#	2" 150#	270	56"	47"	49"	36"x72"x10"	30"x48"x10"	3" 150#	3" 150#
120	50"	33"	35"	30"x48"x10"	30"x36"x10"	2" 150#	2" 150#	300	56"	47"	49"	36"x72"x10"	30"x48"x10"	3" 150#	3" 150#
135	50"	41"	42-1/2"	30"x48"x10"	30"x36"x10"	3" 150#	3" 150#	330	56"	47"	49"	36"x72"x10"	30"x48"x10"	3" 150#	3" 150#
150	50"	41"	42-1/2"	30"x48"x10"	30"x36"x10"	3" 150#	3" 150#	360	56"	47"	49"	60"x82"x16"	30"x48"x10"	3" 150#	3" 150#
165	56"	47"	49"	30"x48"x10"	30"x36"x10"	3" 150#	3" 150#	390	56"	53"	55"	60"x82"x16"	30"x66"x10"	4" 150#	4" 150#
180	56"	47"	49"	30"x48"x10"	30"x36"x10"	3" 150#	3" 150#	420	56"	53"	55"	60"x82"x16"	30"x66"x10"	4" 150#	4" 150#
195	56"	47"	49"	30"x66"x10"	30"x48"x10"	3" 150#	3" 150#	450	56"	53"	55"	60"x82"x16"	30"x66"x10"	4" 150#	4" 150#
210	56"	47"	49"	30"x66"x10"	30"x48"x10"	3" 150#	3" 150#	480	56"	53"	55"	60"x82"x16"	30"x66"x10"	4" 150#	4" 150#

** CONSULT FACTORY FOR UNITS ABOVE 1800 KW

BRYAN BOILERS LLC	783 NORTH CHILI AVE PERU, INDIANA 46970	FORM NO.: 2247
--	--	--