

BH Series Electric Boiler

150 psi Water Design 510 kw to 1650 kw

EFFECTIVE DATE: 3-1-04
REPLACED DATE: 2-17-82

NOTES:

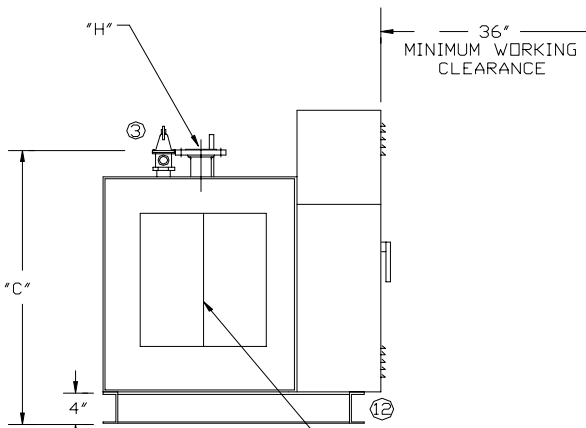
1. DIMENSIONS ARE SUBJECT TO CHANGE WITHOUT NOTICE. CONSULT FACTORY FOR CERTIFIED DIMENSIONS.
2. TIE IN OF EXPANSION TANK CONNECTION IS ESSENTIAL TO INSURE PROPER OPERATION OF THE LOW WATER CUT-OFF FLOAT
3. NOT INTENDED FOR USE AS A PRINCIPAL HEATING SOURCE FOR LIVING SPACE OF AN INDIVIDUAL RESIDENCE

ELEMENT REMOVAL CLEARANCE
30" (60 KW THRU 480 KW)
55" (ABOVE 480KW)

16 GAUGE STEEL JACKET WITH ENAMEL FINISH

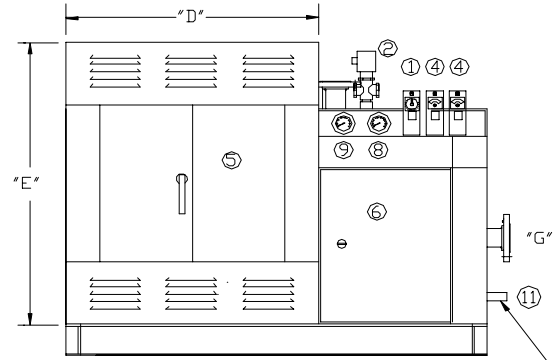
ELECTRICAL ENTRANCE (TOP)

PLAN VIEW



LEFT END VIEW

ENTRANCE TO ELEMENT BUNDLES AND ASME NAMEPLATE AND 4"x6" HANDHOLE



FRONT VIEW

3/4" (60-120KW)
1" NPT (135-360 KW)
1-1/4" NPT (390-720KW)
1-1/2" NPT (720-1650KW)

- | | | |
|--------------------------|-------------------|---------------------------|
| 1. OPERATOR | 5. POWER PANEL | 9. TEMPERATURE GAUGE |
| 2. PROBE TYPE LWCO | 6. CONTROL PANEL | 10. ELEMENT ACCESS |
| 3. RELIEF VALVE | 7. LIFTING LUGS | 11. DRAIN |
| 4. AQUASTAT (HIGH LIMIT) | 8. PRESSURE GAUGE | 12. STRUCTURAL STEEL BASE |

KW	Dimensions			DxExF	DxExF	Inlet	Outlet	KW	Dimensions			DxExF	DxExF	Inlet	Outlet
	A	B	C						A	B	C				
				208-230/3/60	460-575/3/60							208-230/3/60	460-575/3/60		
510	80"	47"	49"	N/A	36"x72"x10"	6" 150#	6" 150#	1140	84"	71"	67"	N/A	60"x90"x16"	6" 150#	6" 150#
540	80"	47"	49"	N/A	36"x72"x10"	6" 150#	6" 150#	1200	84"	71"	67"	N/A	60"x90"x16"	6" 150#	6" 150#
570	80"	47"	49"	N/A	36"x72"x10"	6" 150#	6" 150#	1260	84"	71"	67"	N/A	60"x90"x16"	6" 150#	6" 150#
600	80"	47"	49"	N/A	36"x72"x10"	6" 150#	6" 150#	1320	84"	71"	67"	N/A	60"x90"x16"	6" 150#	6" 150#
660	84"	53"	55"	N/A	36"x72"x10"	6" 150#	6" 150#	1380	84"	71"	67"	N/A	60"x90"x16"	6" 150#	6" 150#
720	84"	53"	55"	N/A	36"x72"x10"	6" 150#	6" 150#	1440	84"	71"	67"	N/A	60"x90"x16"	6" 150#	6" 150#
780	84"	59"	55"	N/A	60"x82"x16"	6" 150#	6" 150#	1500	84"	71"	67"	N/A	60"x90"x16"	6" 150#	6" 150#
840	84"	59"	55"	N/A	60"x82"x16"	6" 150#	6" 150#	1530	84"	71"	67"	N/A	**	6" 150#	6" 150#
900	84"	59"	55"	N/A	60"x82"x16"	6" 150#	6" 150#	1620	84"	71"	67"	N/A	**	6" 150#	6" 150#
960	90"	65"	61"	N/A	60"x82"x16"	6" 150#	6" 150#	1650	84"	71"	67"	N/A	**	6" 150#	6" 150#
1020	90"	65"	61"	N/A	60"x82"x16"	6" 150#	6" 150#	1710	**	**	**	N/A	**		
1080	84"	71"	67"	N/A	60"x90"x16"	6" 150#	6" 150#	1800	**	**	**	N/A	**		

** CONSULT FACTORY FOR UNITS ABOVE 1800 KW

B BRYAN BOILERS LLC

783 NORTH CHILI AVE
PERU, INDIANA 46970

FORM NO.:

2248