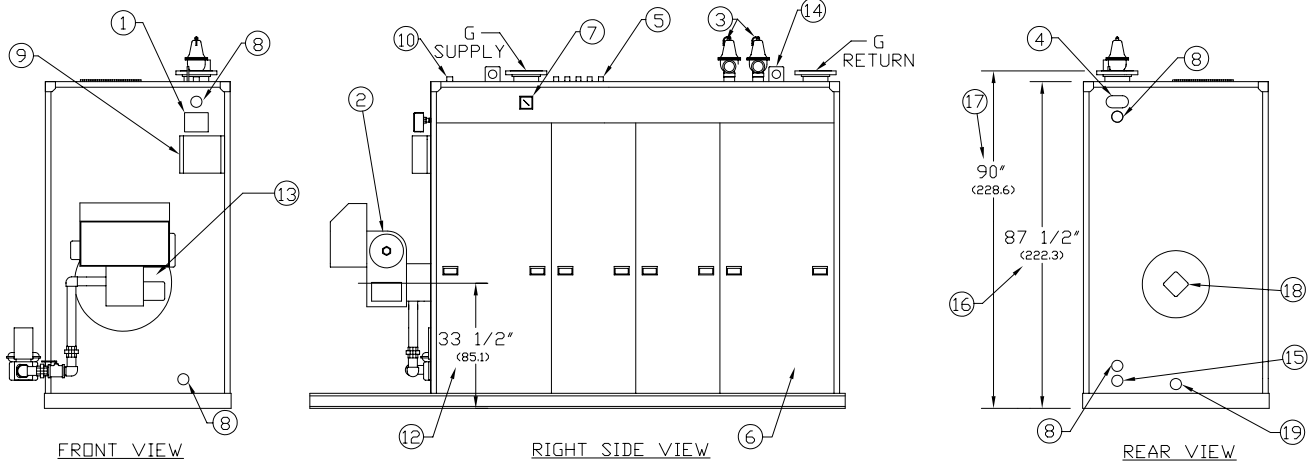
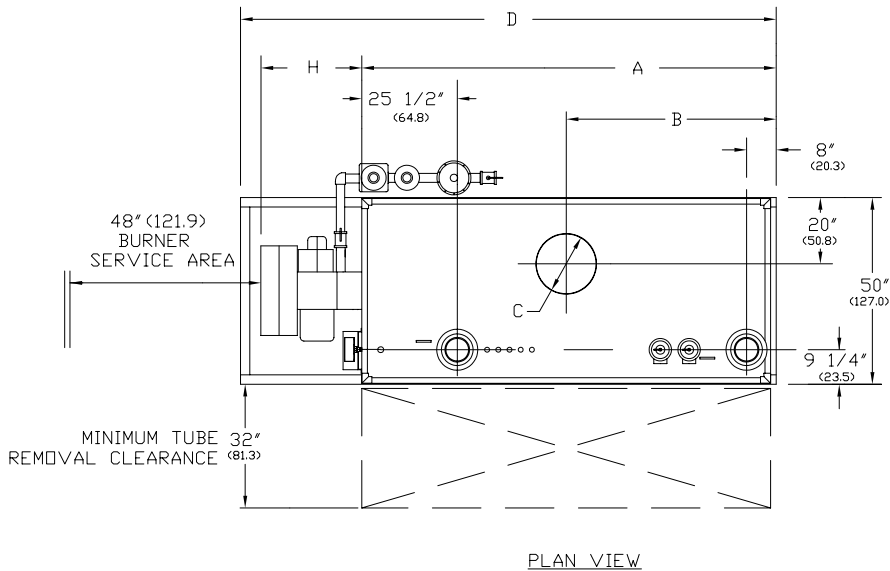


RV SERIES FORCED DRAFT WATER BOILERS  
(HE-RV350-HE-RV500) REVERSE CONSTRUCTION

EFFECTIVE DATE: 08/21/08  
REPLACES: 03/10/08



- |                              |                                  |                             |                                |
|------------------------------|----------------------------------|-----------------------------|--------------------------------|
| 1. PROBE TYPE L.W.C.O.-      | 6. JACKET ACCESS PANELS          | 12. BURNER CENTER LINE      | 16. HEIGHT OVER JACKET         |
| 2. FORCED DRAFT BURNER       | 7. PRESS./TEMP. GAUGE            | 13. OIL PUMP LOCATION       | 17. HEIGHT OVER SUPPLY         |
| 3. RELIEF VALVE              | 8. CLNDUT./INSP. OPNG.-1 1/2"NPT | 14. LIFTING LUGS            | 18. FLAME OBSERVATION PORT     |
| 4. ASME NAMEPLATE            | 9. ELEC. ENCLOSURE-              | 15. DRAIN CONNECTION 2" NPT | 19. COMB. CHAMBER DRAIN 1" NPT |
| 5. CONTROL TAPPINGS 3/4" NPT | 10. VENT CONNECTION 1" NPT       |                             |                                |

BOILER MODEL	HE-RV350	HE-RV400	HE-RV450	HE-RV500
A-LENGTH OVER JACKET	98" (248.9)	111" (281.9)	120 1/2" (306.1)	130 1/4" (330.8)
B-FLUE LOCATION	49" (124.46)	55 1/2" (140.97)	60 1/4" (153.035)	65 1/8" (165.41)
C-FLUE DIAMETER	16" (40.6)	16" (40.6)	16" (40.6)	16" (40.6)
D-LENGTH OVER BASE	130 1/2" (331.5)	143 1/2" (364.5)	153 1/4" (389.3)	163" (414.0)
G-SUPPLY / RETURN NOZZLE SIZE	4" FLG (10.2)	6" FLG (15.2)	6" FLG (15.2)	6" FLG (15.2)
H-BURNER EXTENSION	CONSULT FACTORY FOR BURNER EXTENSION APPLICATIONS			



783 NORTH CHILI AVE  
PERU, INDIANA 46970

ORDER NO.:  
ORDER REV. NO.:  
FORM NO.: 2378

# HE-RV SERIES FORCED DRAFT WATER BOILERS REVERSE CONSTRUCTION

BOILER MODEL		HE-RV350	HE-RV400	HE-RV450	HE-RV500
INPUT	MBH	3,500	4,000	4,500	5,000
	(KW)	1,025.5	1,172.0	1,318.5	1,465.0
OUTPUT*	MBH	2,975	3,400	3,825	4,250
	(KW)	871.7	996.2	1,120.7	1,245.2
BOILER HORSEPOWER*	HP	89	102	114	127
	(KW)	870.9	995.4	1,119.8	1,244.2
TUBE DIAMETER	INCHES	1.50	1.50	1.50	1.50
	(CM)	3.81	3.81	3.81	3.81
NUMBER OF TUBES		47	55	61	67
PRESSURE VESSEL VOLUME	GAL	170	196	212	235
	(L)	643.5	741.9	802.4	889.5
HEATING SURFACE	SQ FT	663	774	869	963
	(SQ M)	61.6	71.9	80.8	89.5
OPERATING WEIGHT	LBS	8,932	9,925	10,775	11,811
	(KG)	4,051.7	4,502.0	4,887.7	5,357.6
SHIPPING WEIGHT	LBS	7,515	8,291	9,008	9,852
	(KG)	3,408.8	3,760.8	4,086.0	4,468.9

\* Output and Boiler HP based on an average 85% natural gas combustion efficiency.